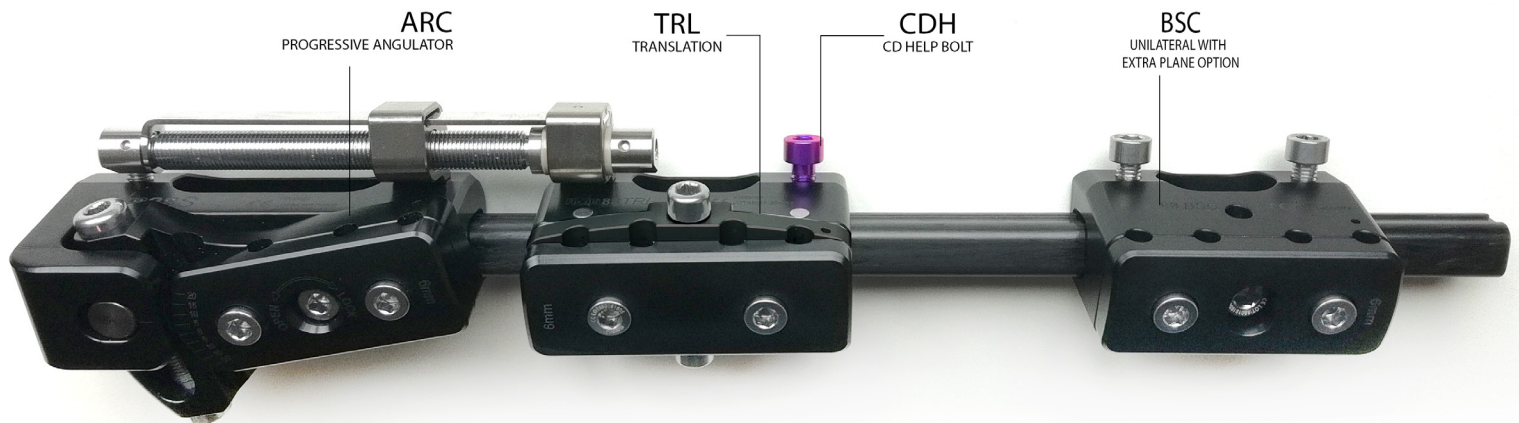


FIXUS88 Reconstruction



Designed to be Intuitive, Stable and Progressive



Modular with FIXUS88 Bi-planar Vpin option

INTUITIVE

The FIXUS88 Reconstruction Progressive devices are designed for long bone reconstructive treatment. The products are designed to be intuitive and familiar to use: Proven reduced OR time.

STABLE

The modular devices can be combined to satisfy surgeons needs and with a wide variety of parts of the Fixus88 family: Add a bi planar V-pin construct, a HTH, or a Hybrid system.

PROGRESSIVE

The progressive devices offer the possibilities for bone lengthening, bone transport, Angular correction (the "ARC") and Translation (the "TRL") All progressive movements are visible with an indicative scale for reference.

MODULARITY

The FIXUS88 Reconstruction- *PRO* devices are easy to use, modular components:

ARC

- Progressive angular corrector - 2x 20 degrees
- Transport with Compression Distraction device

TRL

- Progressive translation corrector- 2x 7 mm
- Transport with Compression Distraction device

BSC

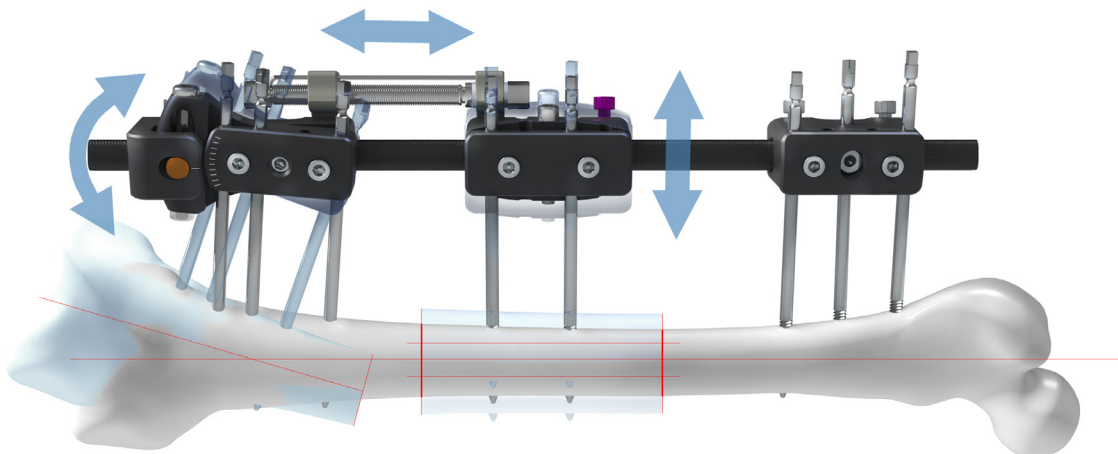
- Holds up to 5 pins, in two planes:
- Multi planar option for extra stability
- Transport with Compression Distraction device

DNA

- Dynamization stimulates External callus growth, prevents Osteolysis (2mm @30kg)
- False base for CD device and other accessoires



The DNA dynamizer offers controlled damping



Example setup: The ARC, CD unit, TRL and a BSC

FEATURES AND BENEFITS

- Progressive Angulation, Translation
- Compression/Distraction and Dynamization
- All progressive movements visible with scale
- Bone lengthening, bone transport
- Modular, quick & familiar use
- One key for all
- Interchangeable with FIXUS88 Parts
- Lightweight Carbonfibre Body
- Monoplanar with extra plane option

PRODUCTS

Description	Art. code
FIXUS88 BSC	FIX88R939
FIXUS88 ARC	FIX88R940
FIXUS88 TRL	FIX88R941
FIXUS88 DNA	FIX88R942
FIXUS88 CD Device	FIX88R930

YOUR DISTRIBUTOR:

